

# DROP BOX

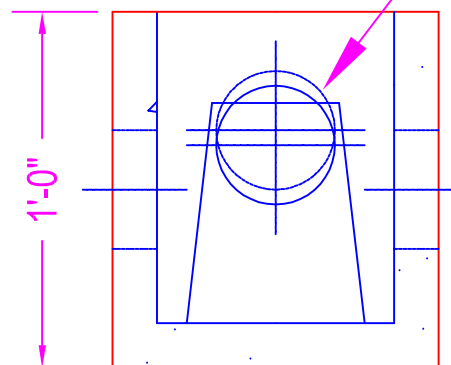
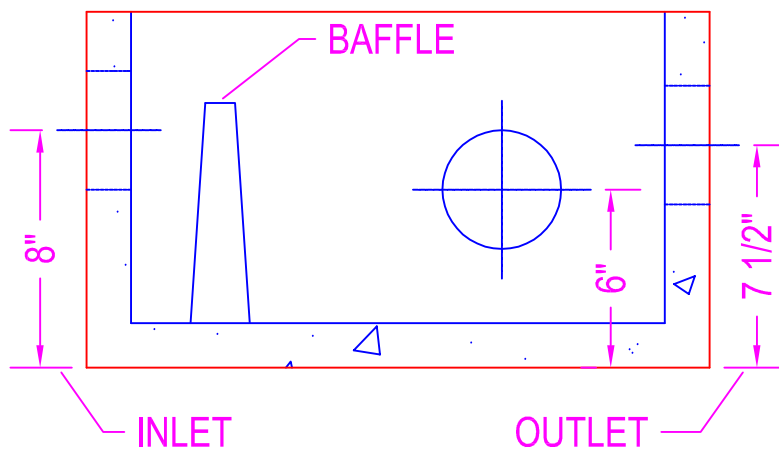
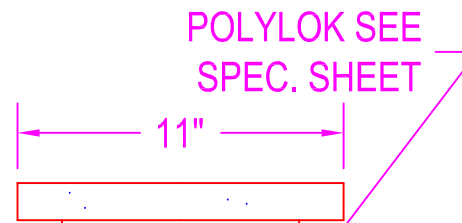
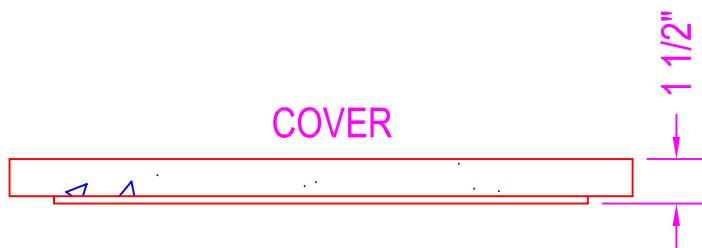
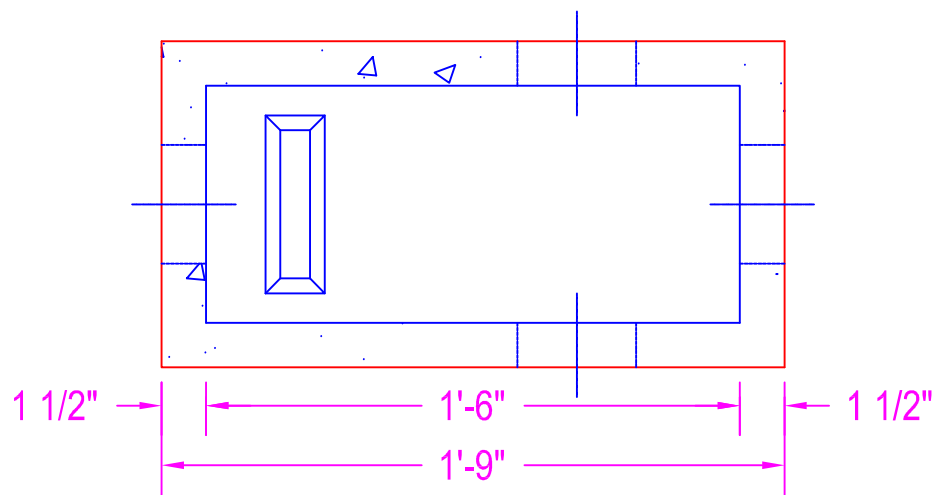
## NOTES:


CONCRETE: 5000 psi @ 28 days

POLYPROPYLENE FIBERS

REF.: #3 rebar in cover

PIPE CONNECTS: polylok



**Zeiser**  
  
**Wilbert**  
 VAULT, INC.  
 CONCRETE PRODUCTS

750 Howard Street Elmira, NY 14904  
 Fax: (607) 737-0291  
 Phone: (607) 733-0568  
 1-800-472-4335

Title: DROP BOX

Scale: Not To Scale

Drawn By: JPS

Drawing No.: 1030

Date: 11-18-99