

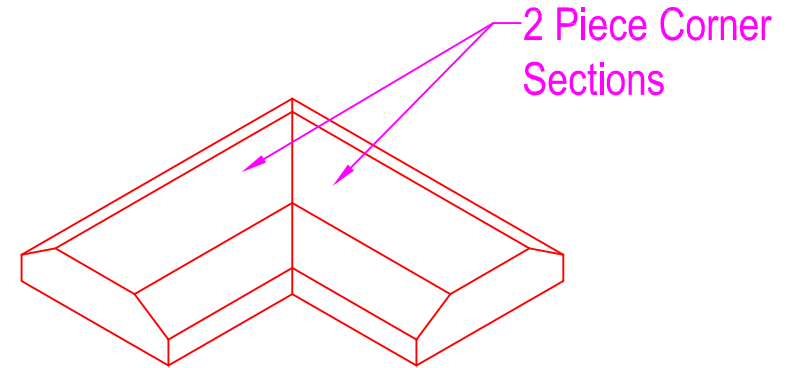
## CAP BLOCKS


### NOTES:

CONCRETE: 5000 psi @ 28 days

REF: #4 rebar

FINISH: smooth surface finish



	750 Howard Street Elmira, NY 14904 Fax: (607) 737-0291 Phone: (607) 733-0568 1-800-472-4335	<b>Title: Cap Block for Sea-Walls</b>	Drawn By: JPS
	Scale: Not To Scale	Drawing No.: 05091100	
	Date: 5-9-11		