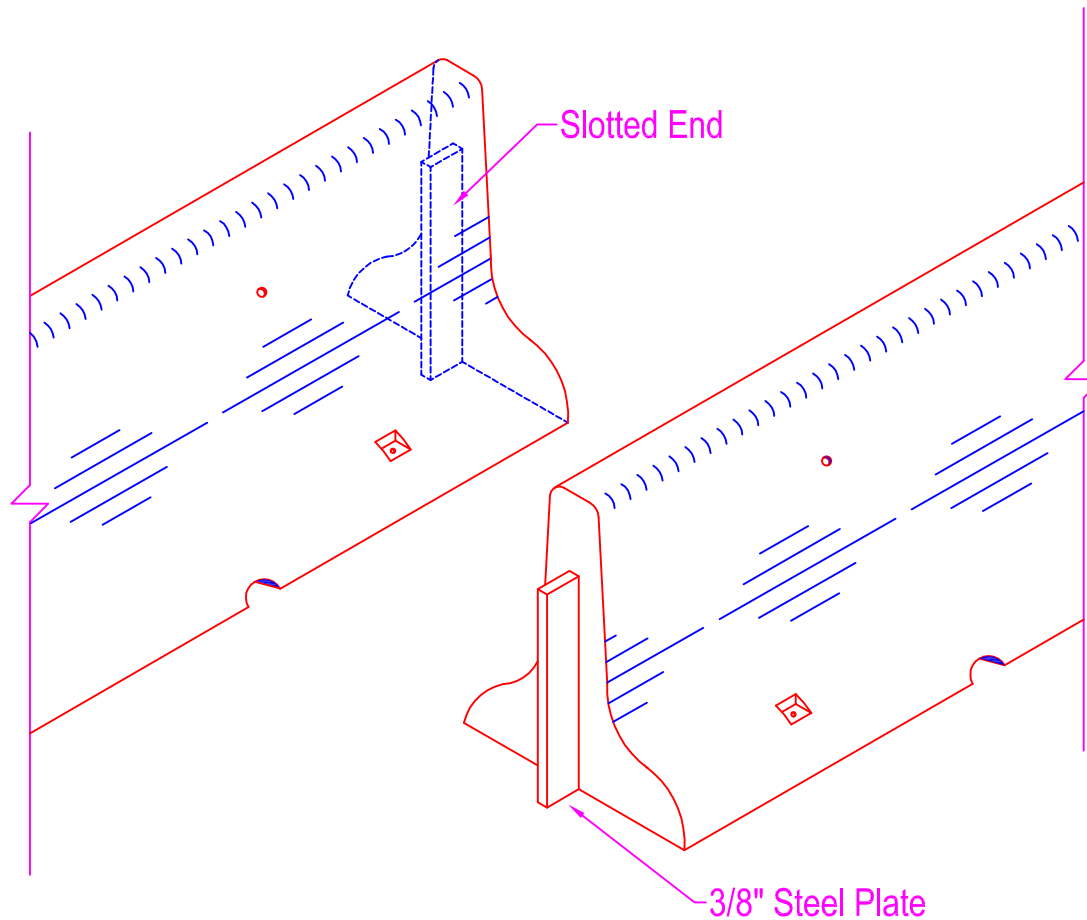



Installation Instructions

Method is the same for full sections & end sections of safety barrier

STEP:

- 1) cut a 3/8" steel plate 6" wide x 26" long (tall)
- 2) insert 3" of the plate into the provided slot at each end of the safety barrier as shown in the detail below
- 3) the exposed 3" of the plate will receive the next adjoining section of safety barrier
- 4) repeat steps 1-3 as needed



 <p>Zeiser Wilbert VAULT, INC. CONCRETE PRODUCTS</p>	750 Howard Street Elmira, NY 14904 Fax: (607) 737-0291 Phone: (607) 733-0568 1-800-472-4335	Title: Safety Barrier Install.	Drawn By: JPS
		Scale: Not To Scale	Drawing No.: 10080001
			Date: 10-8-00