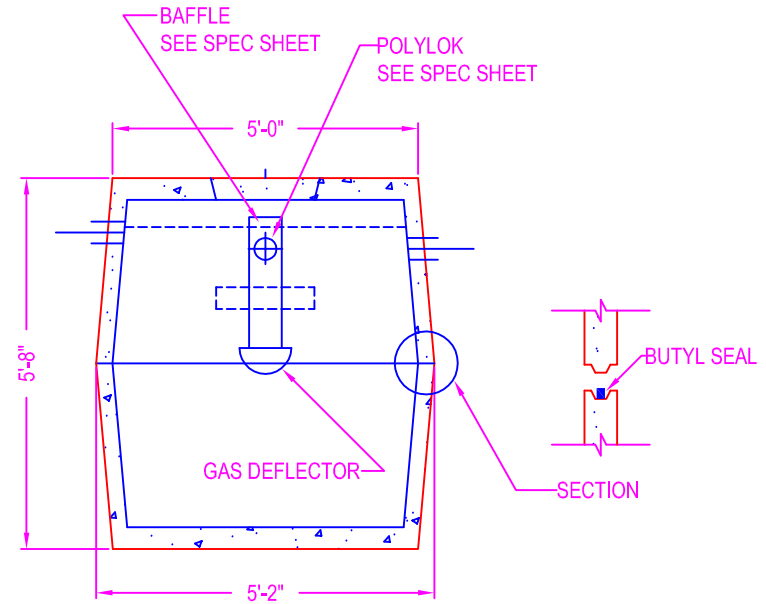
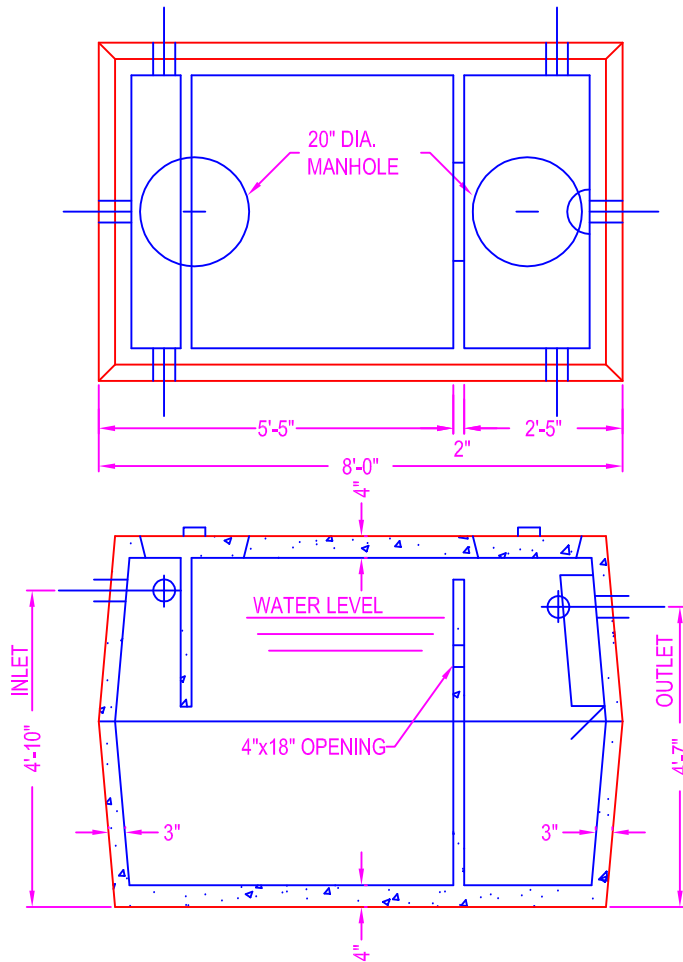


# SEPTIC TANK ST-1000 2 COMPARTMENT

3-INLETS  
3-OUTLETS

NOTES:

- CONCRETE: 5000 psi @ 28 days
- REF: Matrix HPS fiber mesh  
rebar grade 60 ASTM A615
- ENTRAINED AIR: +/- 5% to 8%
- DESIGN LOAD: 300 psf / non-traffic
- LIVE LOAD: N/A
- EARTH FILL: 36" max fill depth
- BUOYANCY FACTOR: N/A
- PIPE CONNECTS: polylok (cast in)
- BAFFLE: plastic baffle w/ gas deflector  
on outlet opening  
monolithic concrete baffle on inlet  
opening



**Zeiser**  
**Wilbert**  
VAULT, INC.  
CONCRETE PRODUCTS

750 Howard Street Elmira, NY 14904  
Fax: (607) 737-0291  
Phone: (607) 733-0568  
1-800-472-4335

Title: ST-1000 Two Comp.

Scale: Not To Scale

Drawn By: JPS

Drawing No.: 01020903

Date: 1-2-09