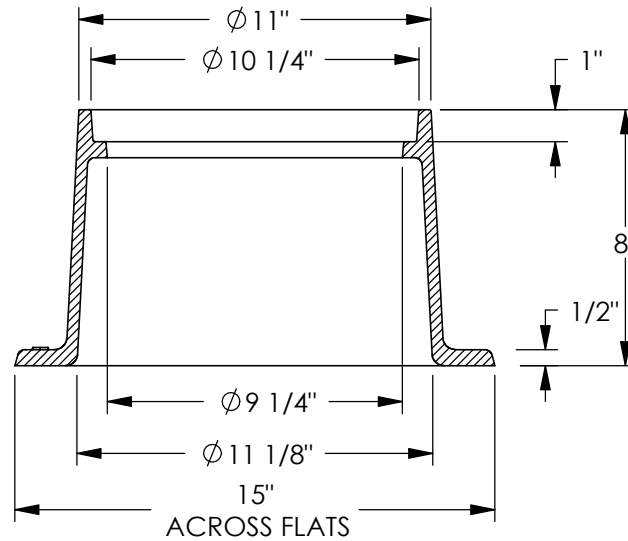
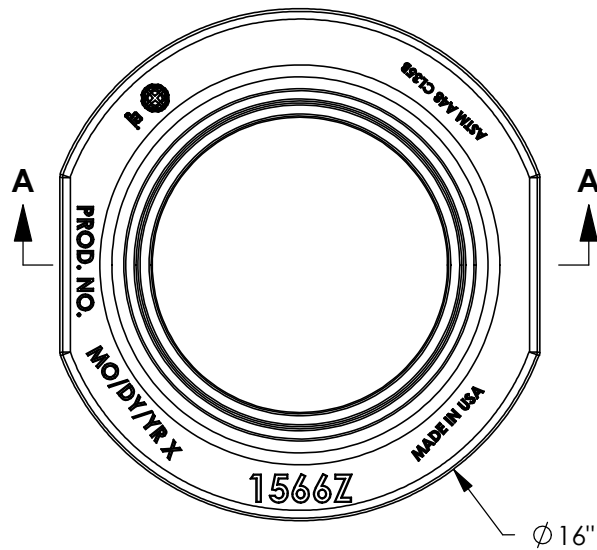


# 1566Z Frame



SECTION A-A

## Product Number

00156611

## Design Features

- Materials
  - Gray Iron (CL35B)
- Design Load
  - Heavy Duty
- Open Area
- Coating
  - Undipped
- √ Designates Machined Surface

## Certification

- ASTM A48
- 
- 
- Country of Origin: USA

## Drawing Revision

12/3/2004 Designer: DEW  
7/12/2012 Revised By: SDC

## Disclaimer

Weights (lbs/kg), dimensions (inches/mm) and drawings provided for your guidance. We reserve the right to modify specifications without prior notice.

CONFIDENTIAL: This drawing is the property of EJ Group, Inc. and embodies confidential information, registered marks, patents, trade secret information, and/or know how that is the property of EJ Group, Inc. Copyright © 2012 EJ Group, Inc. All rights reserved.

## Contact

800 626 4653  
ejco.com