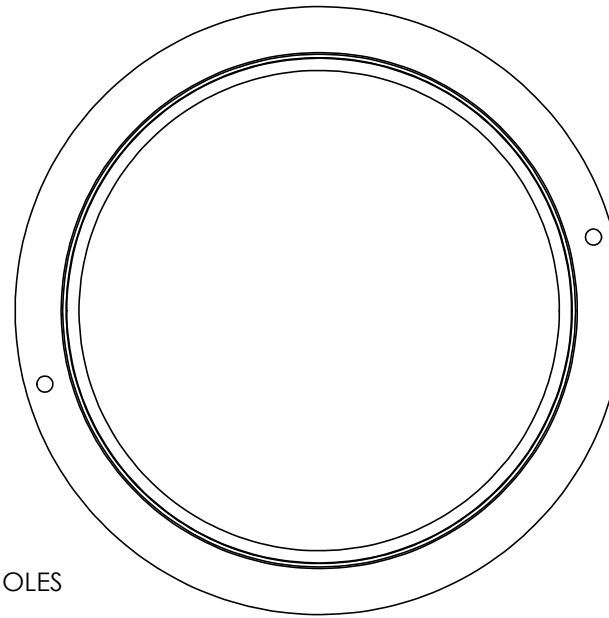
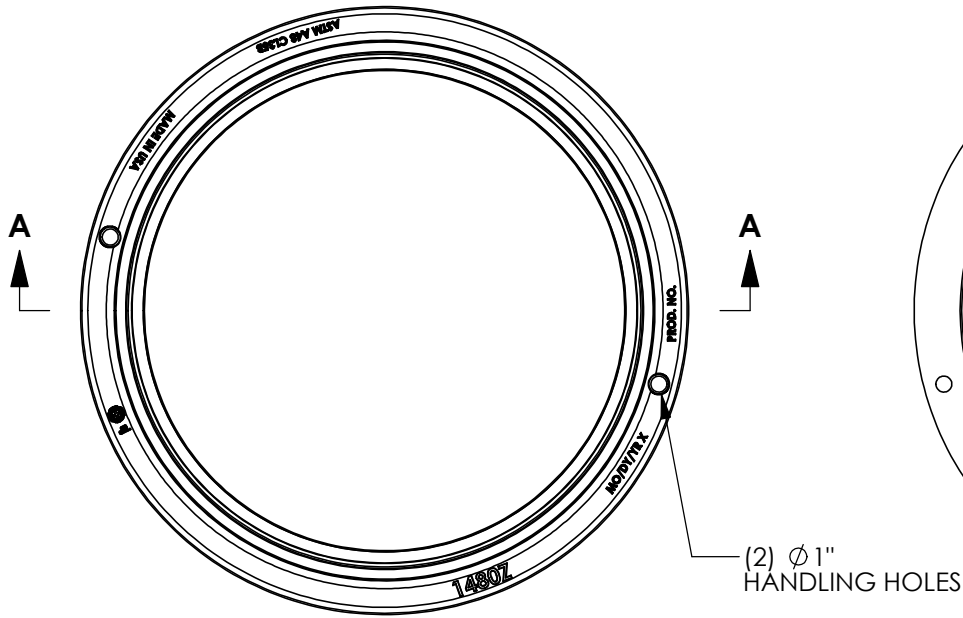
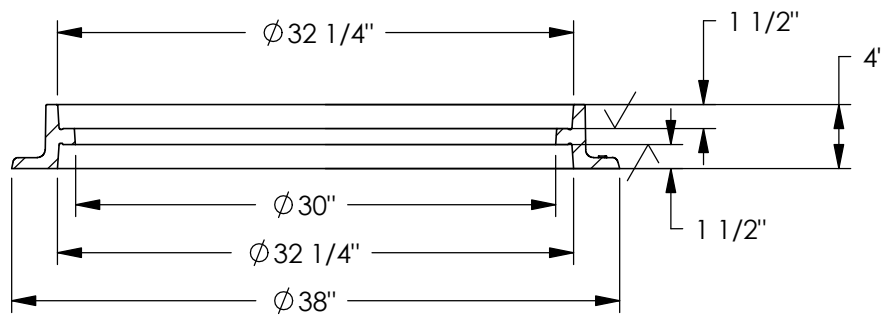


1480Z Frame



BOTTOM VIEW



SECTION A-A

NOTE! FRAME IS REVERSIBLE

Product Number

00148011

Design Features

- Materials
Gray Iron (CL35B)
- Design Load
Heavy Duty
- Open Area
n/a
- Coating
Undipped
- √ Designates Machined Surface

- Estimated Weight 154 lbs

Certification

- ASTM A48
-
- Country of Origin: USA

Drawing Revision

8/8/2003 Designer: DEW
4/20/2012 Revised By: SDC

Disclaimer

Weights (lbs/kg), dimensions (inches/mm) and drawings provided for your guidance. We reserve the right to modify specifications without prior notice.

CONFIDENTIAL: This drawing is the property of EJ Group, Inc. and embodies confidential information, registered marks, patents, trade secret information, and/or know how that is the property of EJ Group, Inc. Copyright © 2013 EJ Group, Inc. All rights reserved.

Contact

800 626 4653
ejco.com