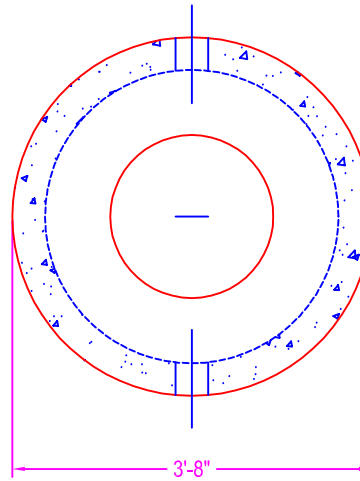
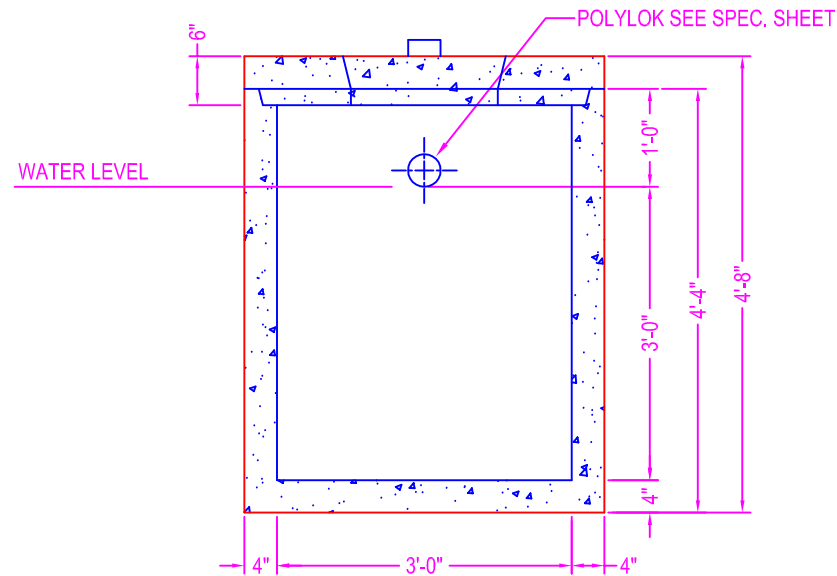



MINI PUMP TANK (CHLORINE TANK) 36"



NOTES:

- CONCRETE: 5000 psi @ 28 days
- REF.: 3/8" rebar w/ 4x4 12.5 mesh
- CAPACITY: approx. 50 gal/ft



	750 Howard Street Elmira, NY 14904 Fax: (607) 737-0291 Phone: (607) 733-0568 1-800-472-4335	Title: 36" MINI PUMP TANK	Drawn By: JPS
		Scale: Not To Scale	Drawing No.: 1029
			Date: 11-15-99