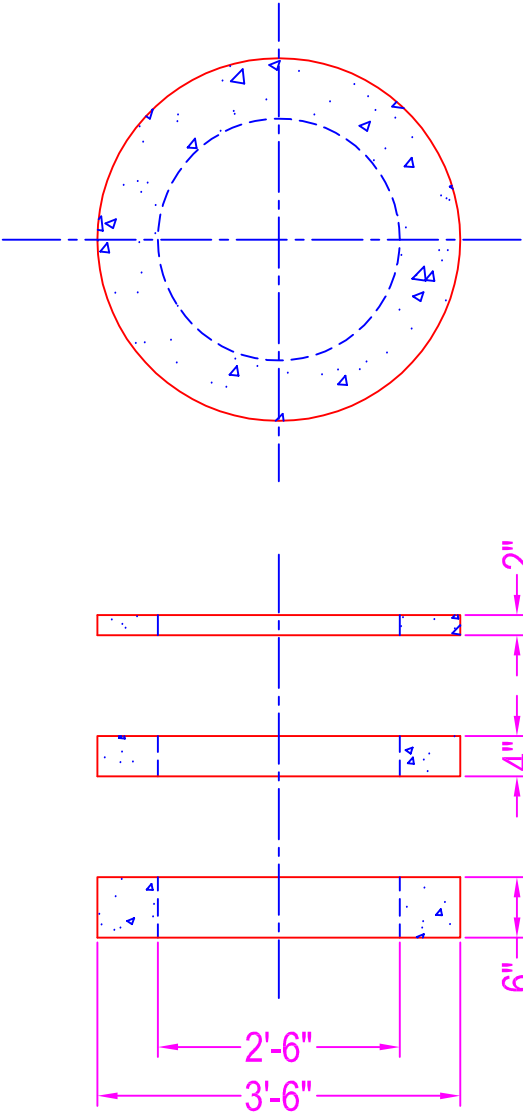


MANHOLE SHIMS (GRADE RINGS)



NOTES:
 CONCRETE: 5000 psi @ 28 days
 REF.: #3 rebar in each

	750 Howard Street Elmira, NY 14904 Fax: (607) 737-0291 Phone: (607) 733-0568 1-800-472-4335	Title: Manhole Shims (30" i.d.)	Drawn By: JPS
		Scale: Not To Scale	Drawing No.: 05300701
			Date: 5-30-07