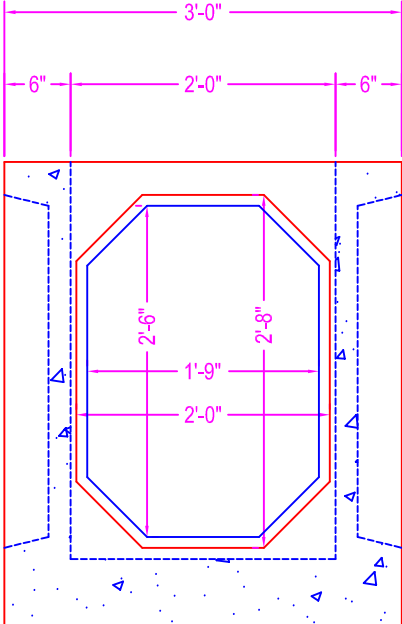
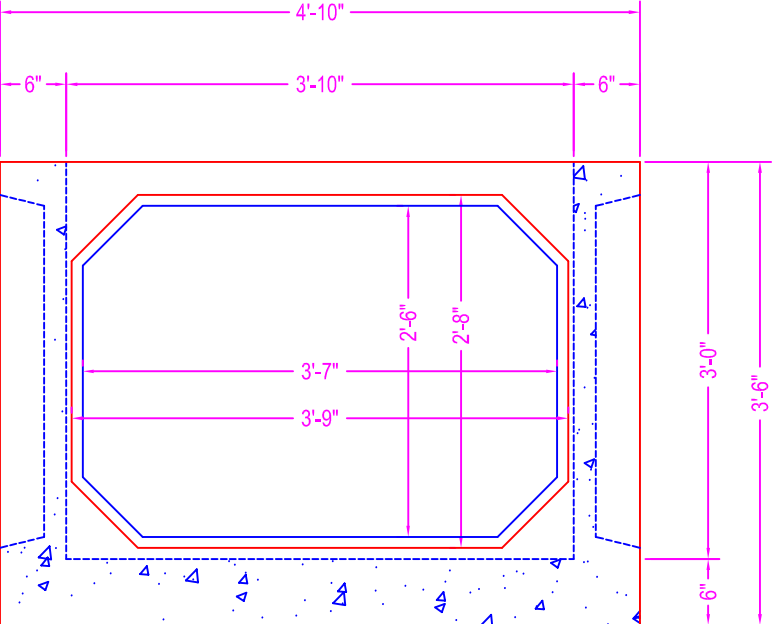
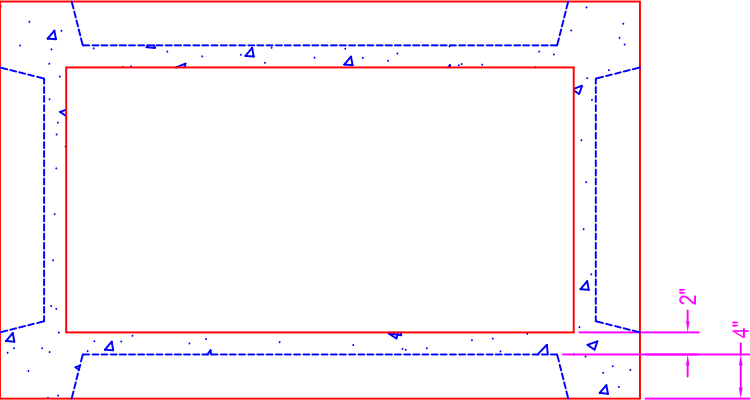


CATCH BASIN

NOTES:

- ASTM-478
- CONCRETE: 5000 psi @ 28 days
- REF.: #3 rebar
- OPENINGS: knockout areas on 4 sides



Zeiser

Wilbert
 VAULT, INC.
 CONCRETE PRODUCTS

750 Howard Street Elmira, NY 14904
 Fax: (607) 737-0291
 Phone: (607) 733-0568
 1-800-472-4335

Title: 2' x 4' CATCH BASIN

Scale: Not To Scale

Drawn By: JPS

Drawing No.: 1054

Date: 1-5-00