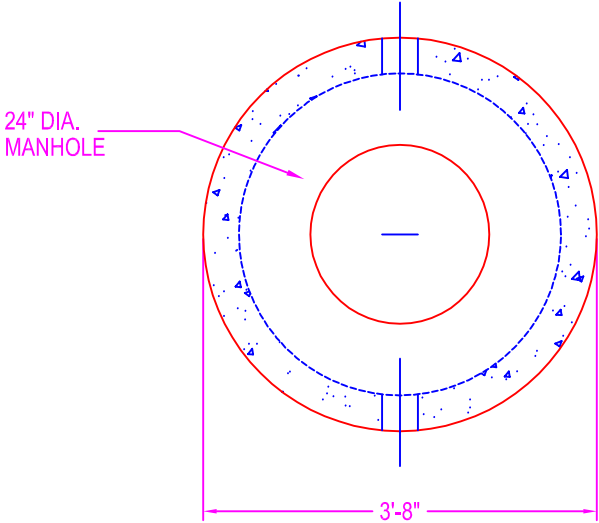
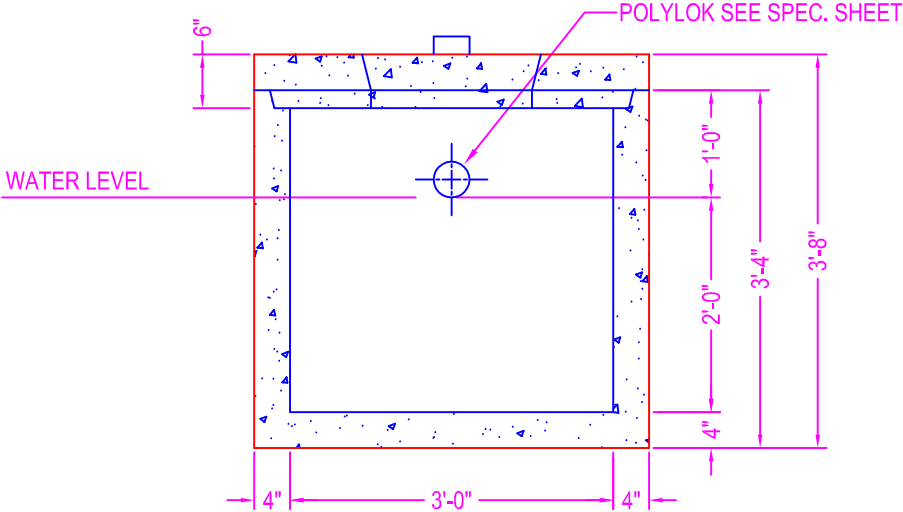



MINI PUMP TANK (CHLORINE TANK) 24"



- NOTES:
- CONCRETE: 5000 psi @ 28 days
 - REF.: #3 rebar in cover & base
fibermesh in barrel walls
 - CAPACITY: approx. 50 gal/ft



Zeiser

Wilbert
 VAULT, INC.
 CONCRETE PRODUCTS

750 Howard Street Elmira, NY 14904
 Fax: (607) 737-0291
 Phone: (607) 733-0568
 1-800-472-4335

Title: 24" MINI PUMP TANK
 Scale: Not To Scale

Drawn By: JPS
 Drawing No.: 1028
 Date: 11-15-99